

# FISHER & PAYKEL

## REFRIGERATOR FREEZER

---

RF170WDRJX5 FP US

PRODUCT CODE: 25801-A

PARTS MANUAL

US CA

# INTRODUCTION

---

<b>BRAND</b>	<b>VOLTAGE</b>	<b>MODEL</b>	<b>PRODUCT CODE</b>
Fisher & Paykel	110-120 60Hz	RF170WDRJX5 FP US	25801-A

---

## MODELS

- ▮ The models covered by this manual are listed on the front cover.
- ▮ The information detailed in this manual is subject to change without notice. The latest version is indicated by the reprint date and replaces any earlier editions.

## KIT PARTS

Where a part number is shown against the descriptions for kit components, they are also available as separate items. In addition, some parts may be supplied with these kits that are not available as separate items, and are therefore either not listed, or a part number is not shown against the part description in this manual.

## PARTS LIST KEY

<b>NI</b>	As a part reference, indicates the part is not illustrated on the diagram.
<b>NOT USED</b>	As a part number, indicates the diagram part reference is not used in this manual.
<b>NS</b>	As a part number, indicates the part is not servicable.

---

# CONTENTS

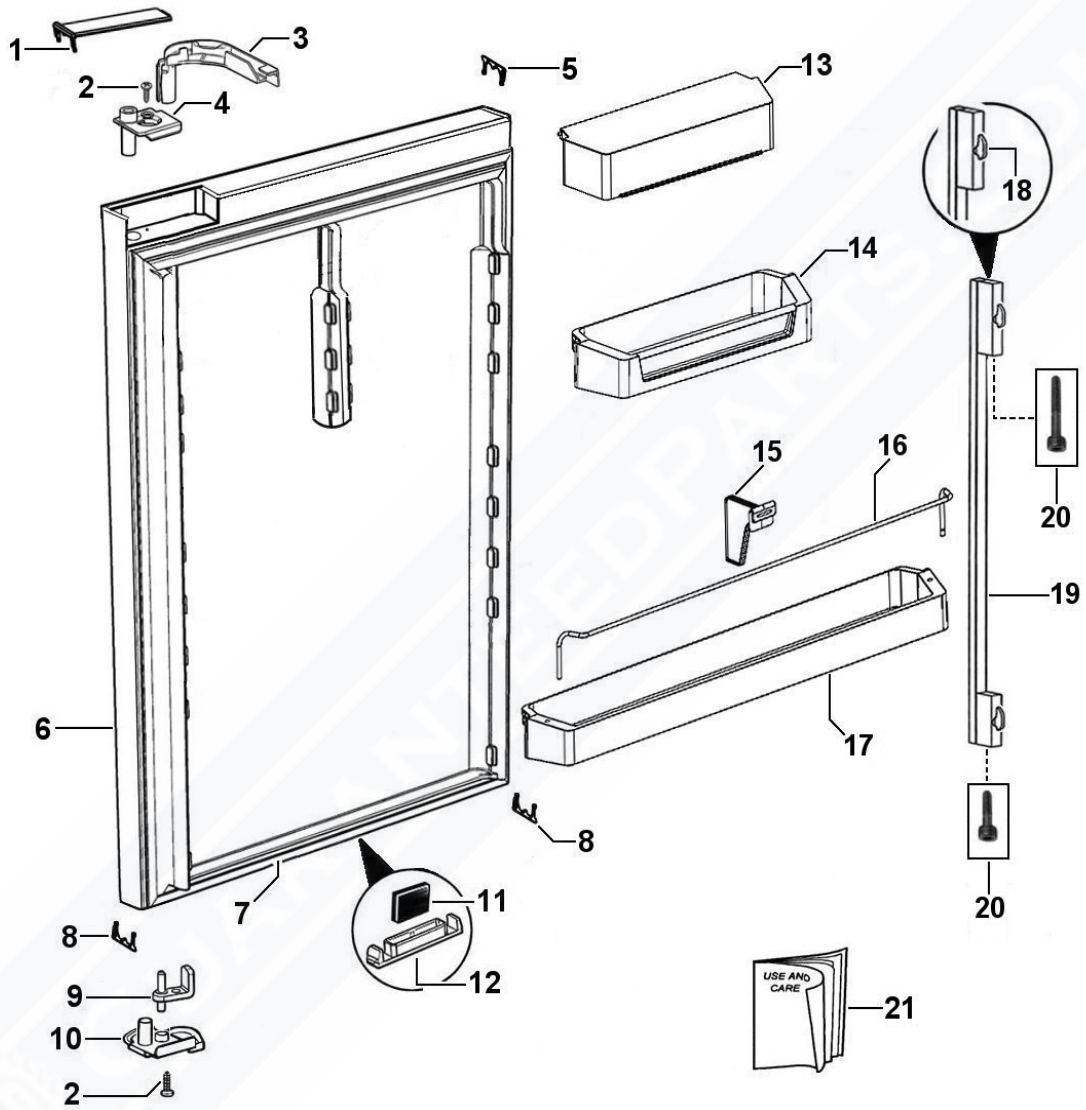
---

INTRODUCTION	1
DOOR COMPONENTS	3
FC DRAWER COMPONENTS	5
CABINET COMPONENTS	7
CABINET INTERIOR COMPONENTS	11
ICEMAKER & ICE BIN COMPONENTS	13
EVAPORATOR COMPONENTS	15
DUCT COVER COMPONENTS	17
TERMINAL, PLUGS & SOCKETS	19
COMPRESSOR AREA COMPONENTS	21

GUARANTEEDPARTS.COM



# DOOR COMPONENTS



DWG002846 AUGUST 2012

DWG 002846

## DOOR COMPONENTS

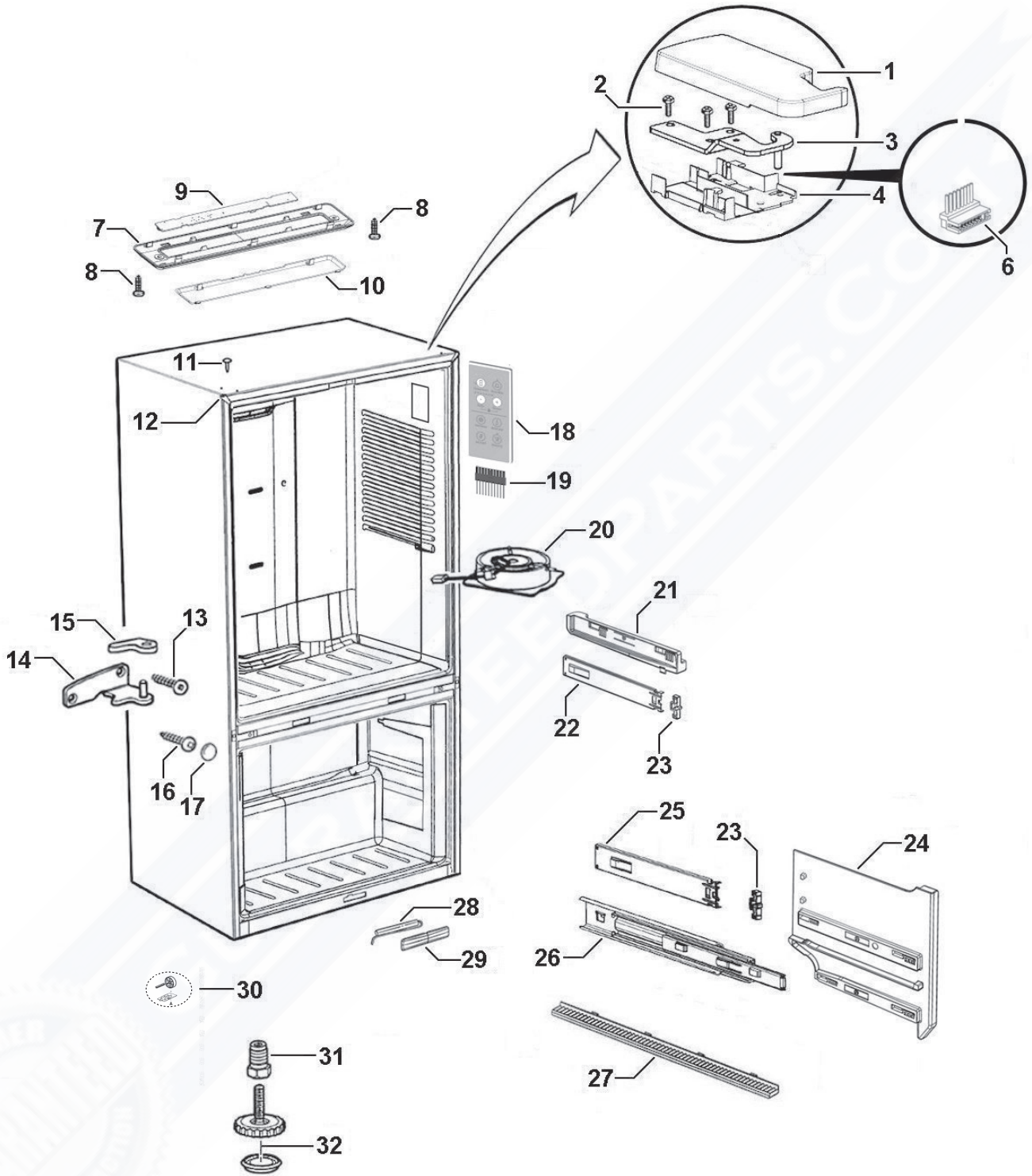
REFERENCE	PART NUMBER	PART DESCRIPTION
1	820801	COVER DOOR HINGE RH
2	817825P	SCREW #8X22 WAFER PH ST TV (PKT 10)
3	820715	GUIDE TUBE SERVICE DOOR RH
4	820845	BEARING HINGE WATER RH
5	860419	TRIM DOOR DESIGNER X
6	848354P	DOOR PC 790X1052 F SX2 W RH
	Includes 883315	MAGNET DOOR SWITCH ST4
7	819822P	GASKET FRAME E522B PC
8	813926	TRIM CORNER DOOR FLAT
9	814537	DOOR STOP ASSY
10	819650	CLOSING HOOK DR STOP GR RH
11	883315	MAGNET DOOR SWITCH ST4
12	813928	COVER MAGNET DOOR FLAT
13	821467	COVER SHELF RF522W
14	821637	SHELF DR RF522W ASSY
	Includes	LENS SHELF DR RF522W
	Includes	TRIM SHELF DOOR RF522W
15	821805	DIVIDER BOTTLE 522B
16	821465	RAIL SHELF DOOR RF522W
17	821630	SHELF DR BTM RF522W
18	860795P	BOSS HANDLE FLAT SPARES KIT
19	820584	HANDLE D3 642 RF ASSY BRUSHED
	Includes 819646	SCREW M5X40 CAP (2)
20	819646P	SCREW M5X40 CAP (PKT 10)
21	839480	BOOKLET USE & CARE USA/CA



## FC DRAWER COMPONENTS

REFERENCE	PART NUMBER	PART DESCRIPTION
<b>1</b>	<b>849315P</b>	<b>DRAWER FC 790X605 F SX2 P</b>
	Includes 813928	COVER MAGNET DOOR FLAT
	Includes 883315	MAGNET DOOR SWITCH ST4
	Includes 860795	BOSS HANDLE FLAT (2)
<b>2</b>	<b>813926</b>	<b>TRIM CORNER DOOR FLAT</b>
<b>3</b>	<b>819821P</b>	<b>GASKET ASSY E522 B FC</b>
<b>4</b>	<b>883315</b>	<b>MAGNET DOOR SWITCH ST4</b>
<b>5</b>	<b>813928</b>	<b>COVER MAGNET DOOR FLAT</b>
<b>6</b>	<b>837233</b>	<b>BRACKET DOOR FC RH</b>
	<b>837234</b>	<b>BRACKET DOOR FC LH</b>
<b>7</b>	<b>817825P</b>	<b>SCREW 8X22 WAFER PH ST TV (PKT 10)</b>
<b>8</b>	<b>837010</b>	<b>BRACKET MOUNT PINION FC RH</b>
	<b>837011</b>	<b>BRACKET MOUNT PINION FC LH</b>
<b>9</b>	<b>838502P</b>	<b>PINION ANTIRACK FC (2)</b>
<b>10</b>	<b>821407</b>	<b>BAR ANTIRACK RF522W</b>
<b>11</b>	<b>821873</b>	<b>HANDLE D3 710 FC ASSY</b>
	Includes 819646	SCREW M5X40 CAP (2)
<b>12</b>	<b>860795P</b>	<b>BOSS HANDLE FLAT PKD</b>
<b>13</b>	<b>819646P</b>	<b>SCREW M5X40 CAP (PKT 10)</b>

# CABINET COMPONENTS

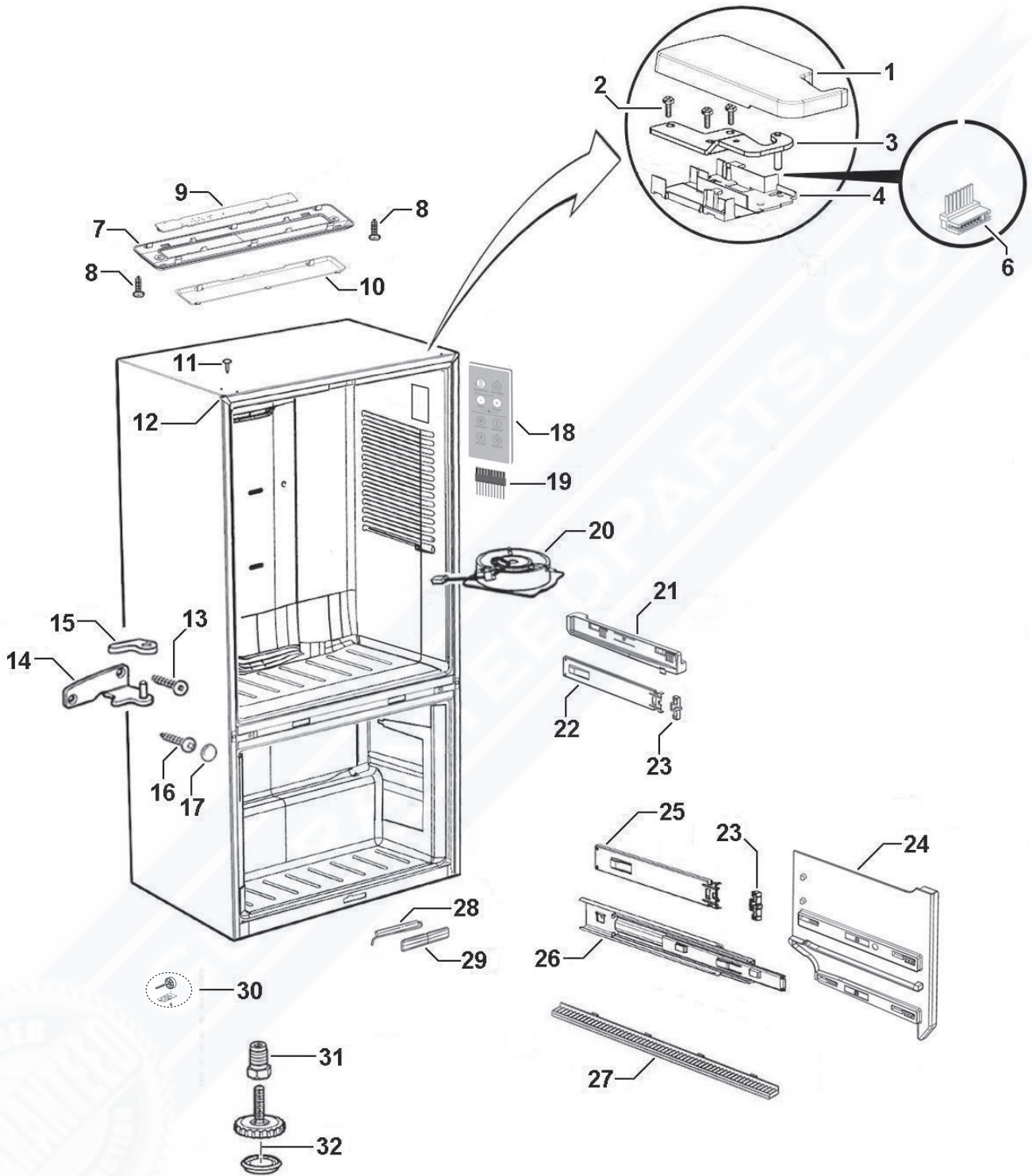




## CABINET COMPONENTS

REFERENCE	PART NUMBER	PART DESCRIPTION
1	820647	COVER HINGE TOP IW RH
2	817818P	SCREW M5X20 HEX PH ST TV (PKT 10)
3	820652	BRACKET HINGE IW RH ASSY
4	821943	SUPPORT HINGE TOP RH
6	873279	CONNECTOR RAST 7234-008-500
7	820736	HOUSING FRONT LED PC
8	817816P	SCREW 6 X12 AB TRUSS PH ST TV (PKT 10)
9	845096P	MOD LAMP AS CEILING SVC
10	820737	WINDOW LED PC
11	883948P	PLUG TAPPED HOLE SILVER (PKT 3)
12	883951	TRIM CORNER SILVER 680/790
13	880656P	SCREW 10GX25CSK SQ SS (PKT 10)
14	881288	BRACKET H-RAIL HINGE RH PLATED
15	883988P	CAP DOOR CLOSING RH HGE BRKT
16	817822P	SCREW #10X19 AB #2 SQ TV (PKT 10)
17	883953P	CAP SCREW CROSS RAIL SILVER
	880595P	CAP SCREW CROSS RAIL WHT PKD
18	821286P	MOD DISP AS U2 INT 8 BUT SVC
19	838437	HARNESS DISPLAY SPARES
20	848320P	PC 3W FAN ASSY JST/DCT
	Includes	FAN HOUSING PC ASSY
	Includes	DUCT JUNCTION
	Includes	CONNECTOR IDC UP2 (2)
	Includes	LABEL WARNING 12 VOLT DC
	Includes	SHEET INSTRUCTION PC FAN ASSY
21	836541	RETAINER SLIDE PC 790 RH
	836542	RETAINER SLIDE PC 790 LH
22	836700	SLIDE 305 RH ASSEMBLY RC
	Includes 836520P	CLIP SLIDE
	836701	SLIDE 305 LH ASSEMBLY
	Includes 836520P	CLIP SLIDE
23	836520P	CLIP SLIDE (PKT 2)

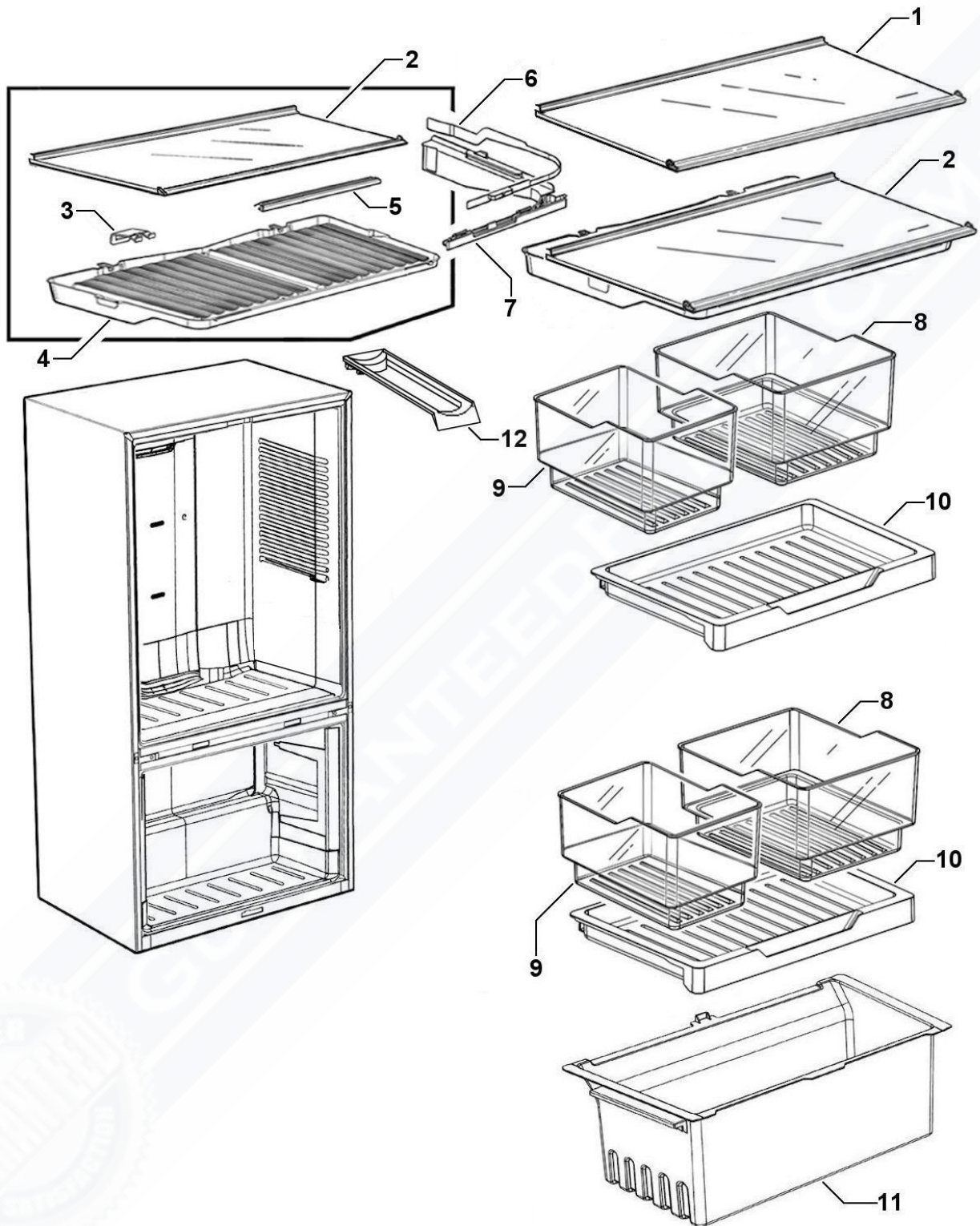
# CABINET COMPONENTS



## CABINET COMPONENTS

REFERENCE	PART NUMBER	PART DESCRIPTION
<b>24</b>	<b>821405</b>	RETAINER SLIDE FC RF522W RH
	<b>821406</b>	RETAINER SLIDE FC RF522W LH
<b>25</b>	<b>836702</b>	SLIDE 355 RH ASSY RC
	Includes 836520P	CLIP SLIDE
	<b>836703</b>	SLIDE 355 LH ASSY RC
	Includes 836520P	CLIP SLIDE
<b>26</b>	<b>838200</b>	SLIDE DRAWER FC MAIN RH
	<b>838199</b>	SLIDE DRAWER FC MAIN LH
<b>27</b>	<b>837047</b>	TRACK ANTI RACKING FC
<b>28</b>	<b>814443P</b>	SWITCH REED FIELD FIX KIT ST4
	Includes	HEATSHRINK 1/8" MW ADHESIVE LINED
<b>29</b>	<b>884011</b>	COVER REED SWITCH ST4 SILVER
	<b>881420</b>	COVER REED SWITCH ST4 WHITE
<b>30</b>	<b>847316P</b>	RETAINER WHEEL STEEL KIT
	Includes	RETAINER WHEEL STEEL
	Includes	SCREW 8-32X8 TY T PAN PH TV
	Includes	ROLLER FOOT FRONT
	Includes	PIN ROLLER PLATED
<b>31</b>	<b>813481</b>	BOLT BLIND END HINGE BRACKET
<b>32</b>	<b>818535</b>	FOOT LEVELLING ASSEMBLY RC
	Includes	WHEEL LEVELLING FOOT ASSY
	Includes	BASE LEVELLING FOOT

# CABINET INTERIOR COMPONENTS



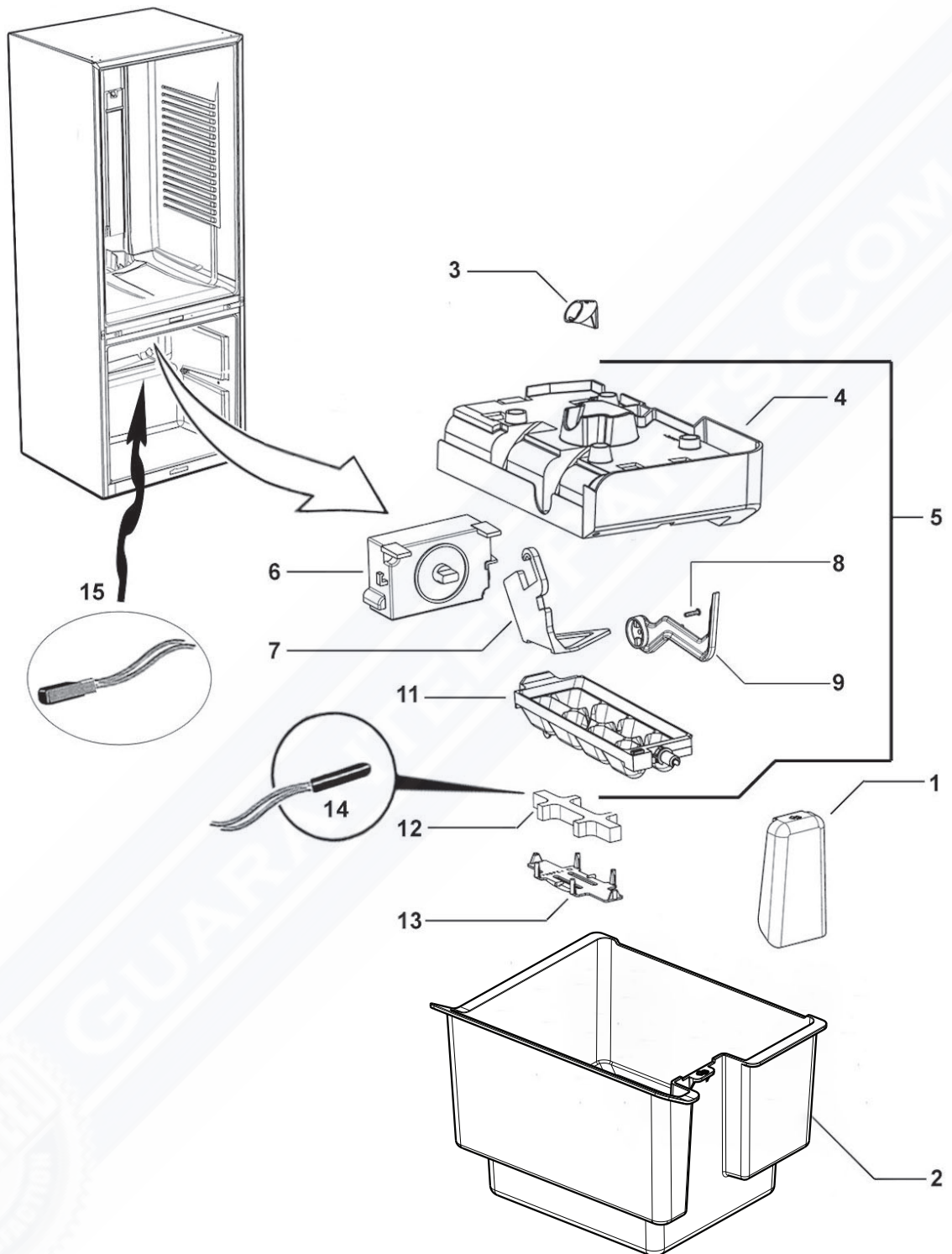
DWG002842 AUGUST 2012

DWG 002842

## CABINET INTERIOR COMPONENTS

REFERENCE	PART NUMBER	PART DESCRIPTION
<b>1</b>	<b>836751P</b>	<b>SHELF GLASS PC 790 ASSY SC</b>
	Includes	SHELF GLASS PC 790
	Includes	TRIM SHELF PC 790 SC
	Includes	STIFFENER SHELF PC 790 SC
	Includes 836569	PLUG STIFFENER SHELF RH
	Includes 836570	PLUG STIFFENER SHELF LH
	Includes 836567	PLUG TRIM SHELF RH
	Includes 836568	PLUG TRIM SHELF LH
<b>2</b>	<b>836728P</b>	<b>SHELF GLASS HCL 790B ASSY SC</b>
	Includes	SHELF GLASS PC 790
	Includes	TRIM SHELF HCL 790 SC
	Includes	STIFFENER SHELF PC 790 SC
	Includes 836567	PLUG TRIM SHELF RH
	Includes 836568	PLUG TRIM SHELF LH
	Includes 836569	PLUG STIFFENER SHELF RH
	Includes 836570	PLUG STIFFENER SHELF LH
	Includes 819179	RETAINER HCL FRONT 790
	Includes 881268	BRACKET HCL SUPPORT B GL SH (2)
	Includes 836574	LID HUMIDITY CONTROL 790B
	Includes 836631	SLIDE CONTROL HUMIDITY RH
	Includes 836633	SLIDE CONTROL HUMIDITY LH
	Includes 836632	GUIDE CONTROL HUMIDITY RH
	Includes 836634	GUIDE CONTROL HUMIDITY LH
<b>3</b>	<b>881268</b>	<b>BRACKET HCL SUPPORT B GL SH</b>
<b>4</b>	<b>836574</b>	<b>LID HUMIDITY CONTROL 790B</b>
<b>5</b>	<b>836582</b>	<b>RETAINER HCL FRONT 790</b>
<b>6</b>	<b>836631</b>	<b>SLIDE CONTROL HUMIDITY RH</b>
	<b>836633</b>	<b>SLIDE CONTROL HUMIDITY LH</b>
<b>7</b>	<b>836632</b>	<b>GUIDE CONTROL HUMIDITY RH</b>
	<b>836634</b>	<b>GUIDE CONTROL HUMIDITY LH</b>
<b>8</b>	<b>836524</b>	<b>BIN SMALL 790</b>
<b>9</b>	<b>836522</b>	<b>BIN SMALL</b>
<b>10</b>	<b>821142</b>	<b>TRAY 790</b>
<b>11</b>	<b>821404</b>	<b>BIN FC RF522W</b>
<b>12</b>	<b>860593</b>	<b>BOTTLE HOLDER SINGLE</b>

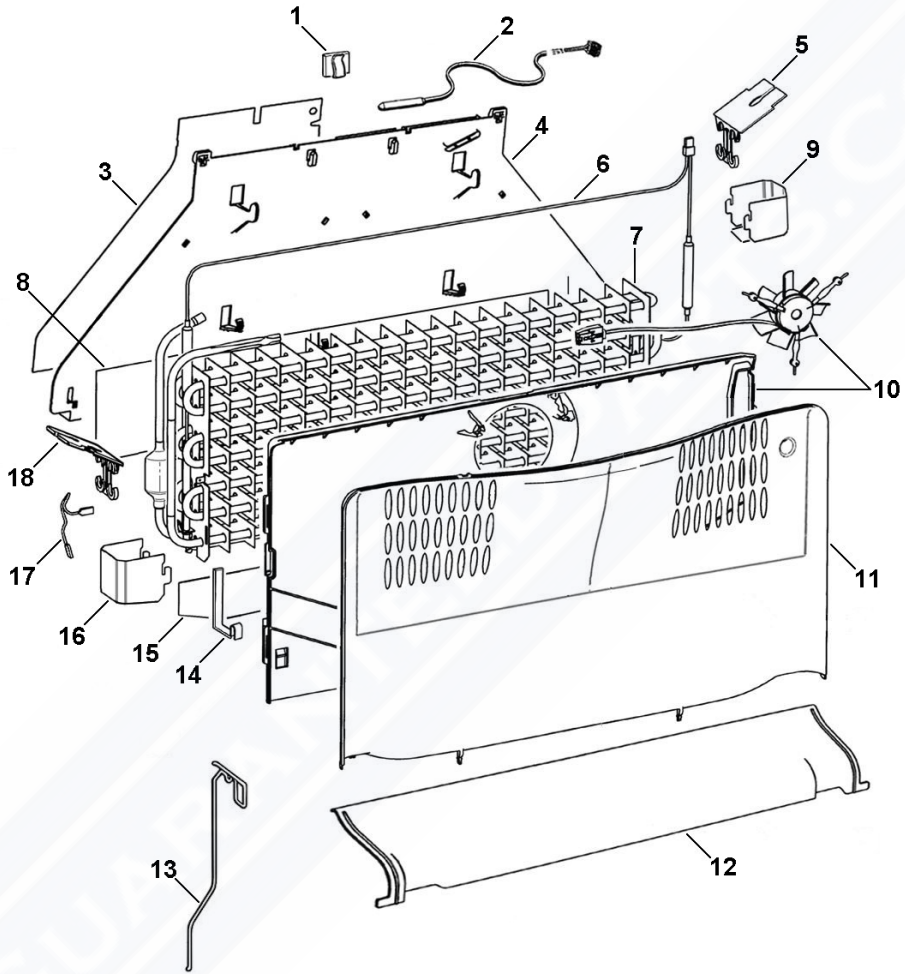
# ICEMAKER & ICE BIN COMPONENTS



## ICEMAKER & ICE BIN COMPONENTS

REFERENCE	PART NUMBER	PART DESCRIPTION
<b>1</b>	<b>836929</b>	<b>SCOOP ICE</b>
<b>2</b>	<b>836886</b>	<b>BIN AND SCOOP ASSEMBLY</b>
	Includes 836928	BIN ICE
	Includes 836929	SCOOP
<b>3</b>	<b>836936</b>	<b>SPIGOT FILL ICE MAKER</b>
<b>4</b>	<b>836915</b>	<b>HOUSING ICE MAKER</b>
<b>5</b>	<b>820833P</b>	<b>ICEMAKER ASSEMBLY LARGE</b>
	Includes 820841	TRAY ICE AUTO LARGE
	Includes 836910	LEVER GEAR BOX ICE
	Includes 836915	HOUSING ICE MAKER
	Includes 836934	GEARBOX ICE MAKER
	Includes 836948	SCREW 6X1/2 PAN PH SS
<b>6</b>	<b>836934</b>	<b>GEARBOX ICE MAKER</b>
<b>7</b>	<b>836912</b>	<b>LEVER BIN DETECT</b>
<b>8</b>	<b>836948P</b>	<b>SCREW 6X1/2 PAN PH SS (PKT 10)</b>
<b>9</b>	<b>836910</b>	<b>LEVER GEAR BOX ICE</b>
<b>11</b>	<b>820841</b>	<b>TRAY ICE AUTO LARGE</b>
<b>12</b>	<b>836909</b>	<b>FOAM CLIP SENSOR</b>
<b>13</b>	<b>837180</b>	<b>CLIP SENSOR ICE TRAY</b>
<b>14</b>	<b>321107</b>	<b>ICE MAKER SENSOR LEAD WIRE KIT</b>
	Includes	SENSOR THERMISTOR ICE MAKER
	Includes	CONNECTOR IDC UY2 - 3MS
	Includes	INSTRUCTIONS ICE SENSOR KIT
<b>15</b>	<b>821689P</b>	<b>ICE FILL TUBE HEATER KIT MK2</b>

# EVAPORATOR COMPONENTS



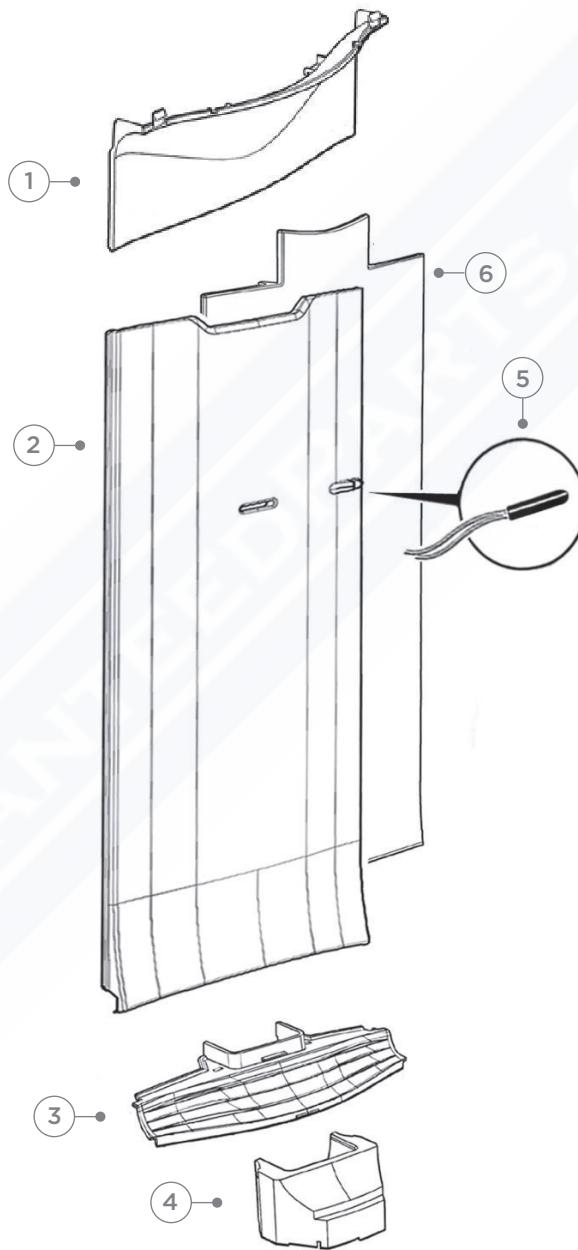
DWG003276 FEBRUARY 2014



## EVAPORATOR COMPONENTS

REFERENCE	PART NUMBER	PART DESCRIPTION
<b>1</b>	<b>900236</b>	<b>CORD CLIP ACC - 3N</b>
<b>2</b>	<b>855203P</b>	<b>SENSOR KIT ASSY ACTV SM</b>
	Includes	HEATSHRINK 25MM
	Includes	HARNESS SENSOR PC
	Includes	CONNECTOR BUTT (2)
	Includes	SHEET INSTRUCTN BUTT CONNECTORS
<b>3</b>	<b>884315</b>	<b>DEFLECTOR HEAT 790B</b>
<b>4</b>	<b>814475</b>	<b>CHASSIS EVAP 790B</b>
<b>5</b>	<b>820604</b>	<b>CLIP EVAP BAFFLE</b>
<b>6</b>	<b>818980P</b>	<b>KIT HTR DEF PUR 120V 790</b>
<b>NI</b>	<b>821745</b>	<b>COVER PLUG TYCO</b>
<b>7</b>	<b>838859P</b>	<b>EVAP ASSY 790B R134A 120V</b>
	Includes	EVAPORATOR FINNED DENSE 790
	Includes 818980	HEATER DEFROST 230V 790
	Includes 813992	CLIP ACTIVE SMART BAFFLE
	Includes 820604	CLIP EVAP BAFFLE
	Includes 814475	CHASSIS EVAP 790B
	Includes 814713	SHIELD EVAP CHASSIS 790B
	Includes 814708	SHIELD HEATER LEFT HAND
	Includes 814709	SHIELD HEATER RIGHT HAND
	Includes 884315	DEFLECTOR HEAT 790B
<b>8</b>	<b>814713</b>	<b>SHIELD EVAP CHASSIS 790B</b>
<b>9</b>	<b>814709</b>	<b>SHIELD HEATER RIGHT HAND</b>
<b>10</b>	<b>848316P</b>	<b>FAN FC 3W KIT 790 SERIES A TO</b>
	Includes 880279	SHIELD HEATER FC COVER 790
	Includes	COVER FAN FC REAR 790
	Includes	CONNECTOR IDC UP2 (2)
	Includes	LABEL WARNING 12 VOLT DC
	Includes	FAN DC SUSPENDED FC ASSY
<b>11</b>	<b>873395</b>	<b>COVER FAN FC FRONT E790B</b>
<b>12</b>	<b>836595</b>	<b>DUCT RETURN AIR FC 790</b>
<b>13</b>	<b>838902</b>	<b>WIRE DRAIN HEATER SINGLE B MEP</b>
<b>14</b>	<b>814653</b>	<b>CLIP DEFOST HEATER B EVAP</b>
<b>15</b>	<b>883783</b>	<b>SHIELD FC REAR COVER 790</b>
<b>16</b>	<b>814708</b>	<b>SHIELD HEATER LEFT HAND</b>
<b>17</b>	<b>814460</b>	<b>HARNESS EARTH 100MM</b>
<b>18</b>	<b>813992</b>	<b>CLIP ACTIVE SMART BAFFLE</b>

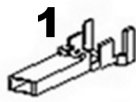
# DUCT COVER COMPONENTS



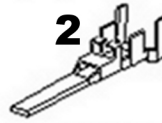
## DUCT COVER COMPONENTS

REFERENCE	PART NUMBER	PART DESCRIPTION
<b>1</b>	<b>837405</b>	<b>COVER DUCT PC TOP B</b>
	Includes	TAPE FOAM 440X6X3 S/CELL P3
<b>2</b>	<b>836861</b>	<b>COVER DUCT PC LONG WATER</b>
<b>3</b>	<b>813287</b>	<b>GRILLE PC RETURN AIR B MODEL</b>
<b>4</b>	<b>872823</b>	<b>INSULATION INSERT PID</b>
<b>5</b>	<b>855203P</b>	<b>SENSOR KIT ASSY ACTIVE SMART</b>
	Includes	HEATSHRINK 25MM
	Includes	HARNESS SENSOR PC
	Includes	CONNECTOR BUTT (2)
	Includes	SHEET INSTRUCTN BUTT CONNECTORS
<b>6</b>	<b>873950</b>	<b>INSULATION COVER DUCT LG B</b>

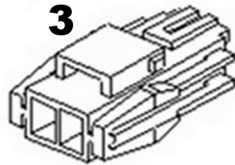
# TERMINAL, PLUGS & SOCKETS



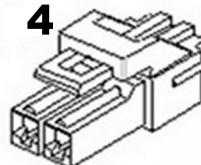
**1**  
**JST SOCKET TERMINAL**



**2**  
**JST PIN TERMINAL**



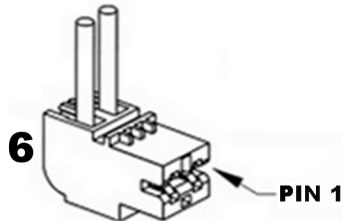
**3**  
**JST SOCKET**



**4**  
**JST PLUG**

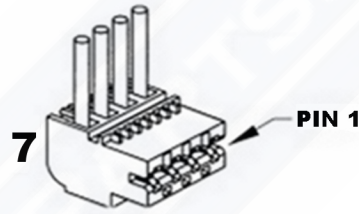


**5**  
**JST RETAINER**



**6**  
**RAST CONNECTOR**

PIN 1



**7**  
**RAST CONNECTOR**

PIN 1

**NOTE THAT IN THE PART NAMES OF THESE CONNECTORS, THE -02- REFERS TO IT BEING A 2 WAY CONNECTOR, AND THE -AB01-(FOR EXAMPLE) REFERS TO THE CODING OF THE CONNECTOR.**

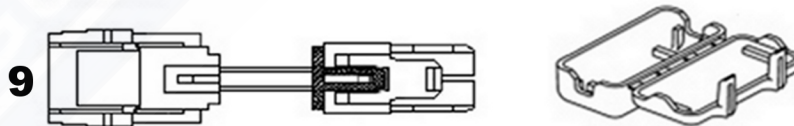


**8**  
**RAST CONNECTOR**

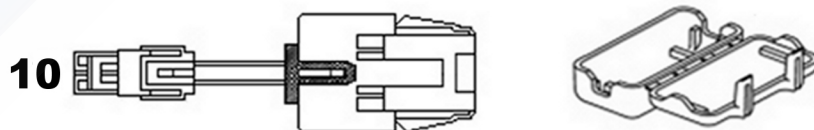
**NEW EDGE CONNECTOR SERIES WITH INTERNAL CODING - NOTE THE WALL**

PIN 1

**NOTE: TO MINIMISE THE NUMBER OF SPARE PARTS THAT NEED TO BE CARRIED, THESE CODED CONNECTORS ARE TO BE REPLACED WITH THEIR UNCODED EQUIVALENTS FOR THE 3, 5 AND 6 WAY CONNECTORS USED ON STAGE 4 CABINETS.**



**9**  
**HARNESS ADAPTOR - JST REC TO MOLEX PLUG**



**10**  
**HARNESS ADAPTOR - JST PLUG TO MOLEX REC**

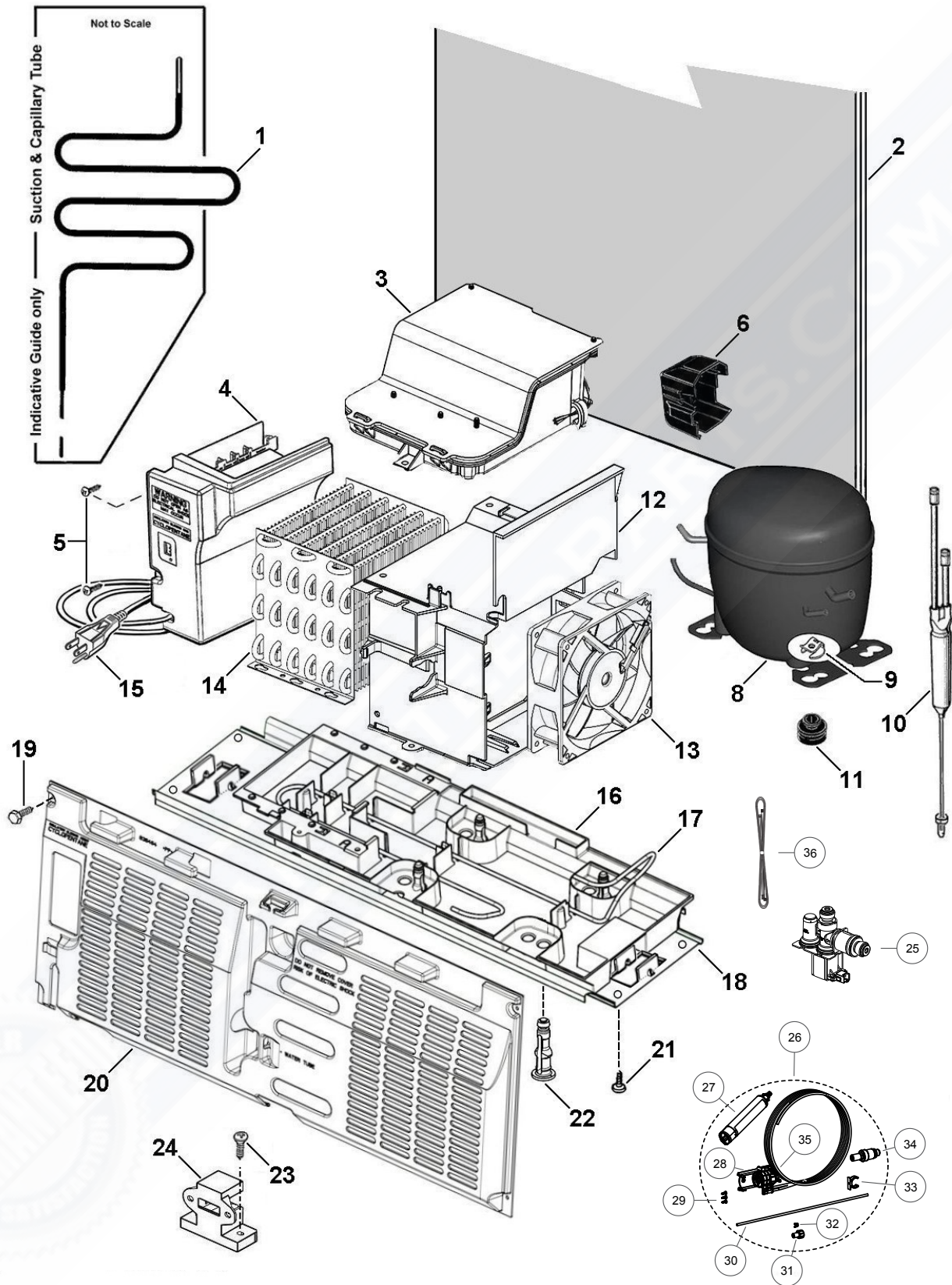
DWG002630 FEBRUARY 2012

## TERMINAL, PLUGS & SOCKETS

REFERENCE	PART NUMBER	PART DESCRIPTION	COMMENTS
1	819607P	TERMINAL SYF-01T PKT 10	26/20 AWG
	819608P	TERMINAL SYF-41T PKT 10	20/16 AWG
2	819609P	PIN/TERM SYM-01T PKT 10	26/20 AWG
	819610P	PIN/TERM SYM-41T PKT 10	20/16 AWG
3	819615	JST SOCKET 2PIN YLR-02V	
	819616	JST SOCKET 3PIN YLR-03V	
	819617	JST SOCKET 4PIN YLR-04V	
	819618	JST SOCKET 6PIN YLR-06VF	
	819619	JST SOCKET 8 PIN YLR-08V	
4	819611	JST PLUG 2PIN YLP-02V	
	819612	JST PLUG 4PIN YLP-04V	
	819613	JST PLUG 6PIN YLP-06V	
	819614	JST PLUG 8PIN YLP-08V	
5	819620	RETAINER 2 WAY YLS-02V	
	819621	RETAINER 3 WAY YLS-03V	
6	881588	CONNECTOR RAST 9290-02-AB01	MAINS CORD
	881589	CONNECTOR RAST 9290-02-BA01	DEFROST HEATER
	881590	CONNECTOR RAST 9290-02-EE01	RUN CAPACITOR
7	881591	CONNECTOR RAST 9290-04-EF02	COMPRESSOR CABLE
8	873251	CONNECTOR RAST 7234-003-500	
	873250	CONNECTOR RAST 7234-004-500	
	881135	CONNECTOR RAST 7234-005-500	
	873247	CONNECTOR RAST 7234-006-500	
	873279	CONNECTOR RAST 7234-008-500	
	873248	CONNECTOR RAST 7234-010-500	
	873243	CONNECTOR RAST 7234-012-500	
	881136	CONNECTOR RAST 7234-014-500	
	881137	CONNECTOR RAST 7234-017-502	
9	820687P	ADAPTOR JST REC TO MOLEX KIT	
		Includes 884412	COVER PLUG MOLEX
10	820688P	ADAPTOR JST PLUG TO MOLEX KIT	
		Includes 884412	COVER PLUG MOLEX

**NOTE:** THE NUMBERS IN THE DESCRIPTION OF THE RAST CONNECTOR DENOTES THE NUMBER OF CONNECTIONS - EXAMPLE: 7234-017-502 =17 WAY CONNECTOR

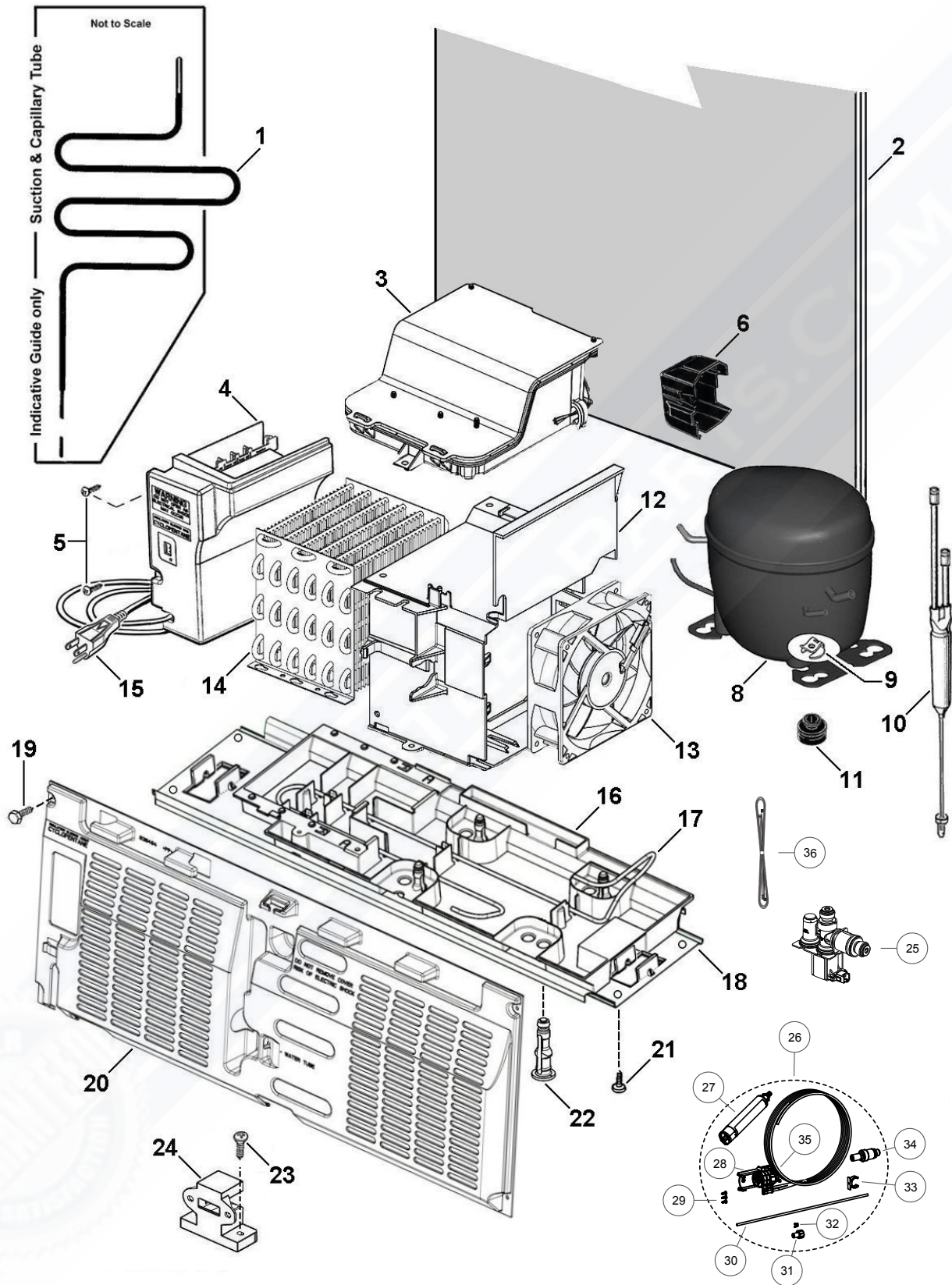
# COMPRESSOR AREA COMPONENTS



## COMPRESSOR AREA COMPONENTS

REFERENCE	PART NUMBER	PART DESCRIPTION
1	883874	SUCTION & CAPILLARY ASSY 790B
2	878178	PANEL BACK FORMED 790
3	207391	INVERTER EMB VESA6H 115V
4	847818P	MOD CNTRL F AS51 120-230V SVC
5	817829P	SCREW #8X16 SP PAN NIB ST TV (PKT 10)
6	207310	COVER PROTECTOR VEM
8	207390P	COMPR PKD EMB VESA6H
	Includes 846619	HARNESS MOD VCC UL EMB
	Includes 207310	COVER PROTECTOR VEM
	Includes 820196	MOD INV VCC AS 120V
	Includes 207265	GROMMET COMPR MTG 26MM (4)
	Includes 838454	PIN LOCKING COMP (4)
	Includes 855270P	CLIP FOOT COMPRESSOR (4)
	Includes 814843P	FILTER DRIER LONG TAIL XH9 12 GRM
9	855270P	CLIP FOOT COMPRESSOR (PKT 4)
10	814843P	FILTER DRIER LONG TAIL XH9 12GRM
11	207265	GROMMET COMPR MTG 26MM
12	838644	HOUSING FAN INV
13	838855P	FAN CONDENSER
14	838455	CONDENSER EXT 6 PASS
15	837802	CORD SET USA MODEL
16	838378	HOUSING CONDENSER BASE
17	839026	TUBE EVAP TRAY FORM H_SHRINK
18	838488	TRAY COMP MNTG 790
19	817834P	SCREW #8X16 HEX (PKT 10)
20	838484	COVER COMP EXT COND 790
21	817829P	SCREW #8X16 SP PAN NIB ST TV (PKT 10)
22	838454	PIN LOCKING COMP
23	815267P	SCREW #10X40 TAB PAN PH STS TV (PKT 10)
24	880911	BRACKET STABILITY ASSY
25	847042	VALVE SOLENOID ICE ONLY

# COMPRESSOR AREA COMPONENTS





## COMPRESSOR AREA COMPONENTS

REFERENCE	PART NUMBER	PART DESCRIPTION
<b>26</b>	<b>847612</b>	<b>KIT INSTALL FILTER WATER US</b>
	includes 312198	ADAPTOR TUBE-TAP1/4"-7/16"UNS
	includes 846219	VALVE PRESSURE LIMIT 550KPA
	includes	REFRIGERATOR WATER FILTER
	includes 847312	HEAD FILTER WATER 90 DEG FS
	includes 847480	BRACKET FILTER WATER ASSY
	includes 847538	BRACKET WALL PLV
	includes 847700	CLIP LOCKING I&W
	includes 847848	TUBE FILTER WATER 1/4" 500MM
	includes 611812P	SCREW ST 10X5/8 MSH PAN PKT 10
<b>27</b>	<b>847200</b>	<b>REFRIGERATOR WATER FILTER</b>
<b>28</b>	<b>847480</b>	<b>BRACKET FILTER WATER ASSY</b>
<b>29</b>	<b>611812P</b>	<b>SCREW ST 10X5/8 MSH PAN PKT 10</b>
<b>30</b>	<b>847848</b>	<b>TUBE FILTER WATER 1/4" 500MM</b>
<b>31</b>	<b>312198</b>	<b>ADAPTOR TUBE-TAP1/4"-7/16"UNS</b>
<b>32</b>	<b>847700</b>	<b>CLIP LOCKING I&amp;W</b>
<b>33</b>	<b>847538</b>	<b>BRACKET WALL PLV</b>
<b>34</b>	<b>846219</b>	<b>VALVE PRESSURE LIMIT 550KPA</b>
<b>35</b>	<b>847312</b>	<b>HEAD FILTER WATER 90 DEG FS</b>
<b>36</b>	<b>846619</b>	<b>HARNESS MOD VCC UL EMB</b>